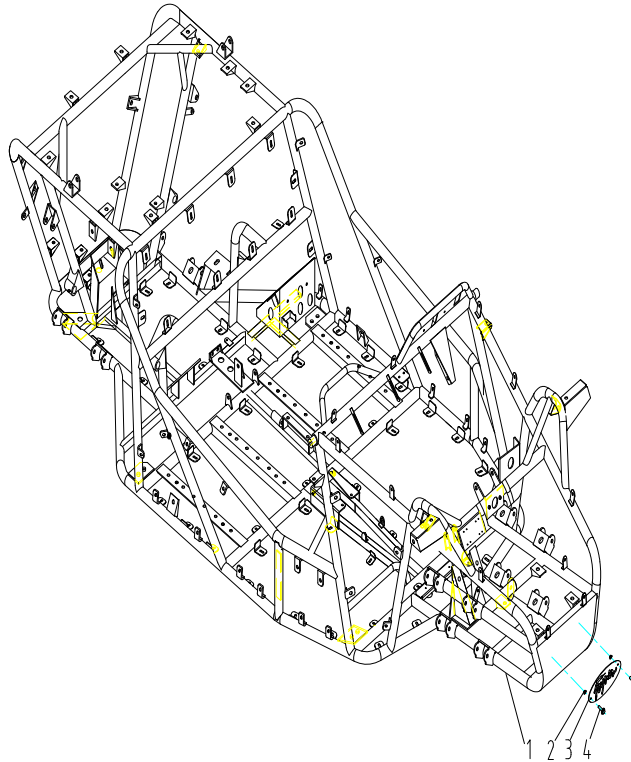


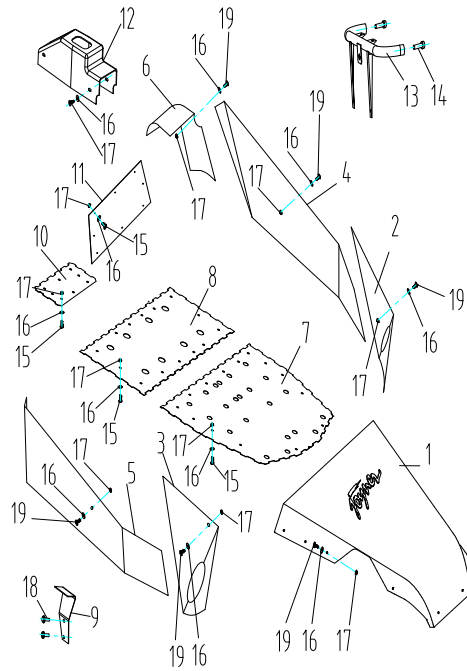
3. VEHICLE

3.1 MAIN FRAME AND BODY PANELS



KITS			
REFERENCE ITEMS INCLUDED	KIT PART NUMBER	DESCRIPTION	QTY
1	201-3000	frame component	
ITEMS SOLD SEPARATELY			
ITEM #	PART NUMBER	DESCRIPTION	QTY
REFERENCE ONLY ITEMS			
REFERENCE ITEM	ERP CODE	DESCRIPTION	QTY
1	02.PYT600.010100A	frame component	1
2	03.02.2842-M4/05	nut washer M4	2
3	02.DN250.00.01.0001	joyner aluminium label	1
4	03.01.5782-M4*10/05	bolt M4*10	2

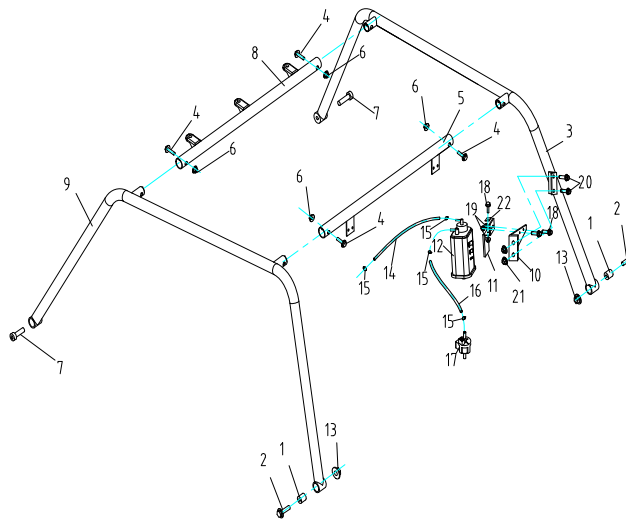
3.2 SKID PLATES, BODY PANELS, CONSOLE



KITS			
REFERENCE ITEMS INCLUDED	KIT PART NUMBER	DESCRIPTION	QTY
1,15,16,17		front panel	1
2,15,16,17		front side panel,left	1
3,15,16,17		front side panel,right	1
4,15,16,17		left side panel	1
5,15,16,17		right side panel	1
6,15,16,17		battery plastical cover	1
7,15,16,17		skid panel	1
8,15,16,17		lower seat panel	1
9,18		floor panel	1
10,15,16,17		rear bottom panel	1
11,15,16,17		number plate support	1
12,15,16,17		rear seat panel	1
13,14			
ITEMS SOLD SEPARATELY			
ITEM #	PART NUMBER	DESCRIPTION	QTY
12		plastic cover	1
14		heat insulation guard	1
15		belthousing support	1
16		belthousing	1
REFERENCE ONLY ITEMS			
REFERENCE ITEM	ERP CODE	DESCRIPTION	QTY
1	02.PYT600.01021000	front plastical cover	1
2	02.E650.01.02.0007A	front side plastical cover,left	1
3	02.E650.01.02.0008A	front side plastical cover,right	1
4	02.E650.01.02.0005	side baffle,left	1
5	02.E650.01.02.0006	side baffle,right	1
6	02.E650.01.02.0009	battery plastical cover	1
7	02.DB650.01.01.02.73	front bottom plate	1
8	02.DB650.01.01.02.72	seat bottom plate	1

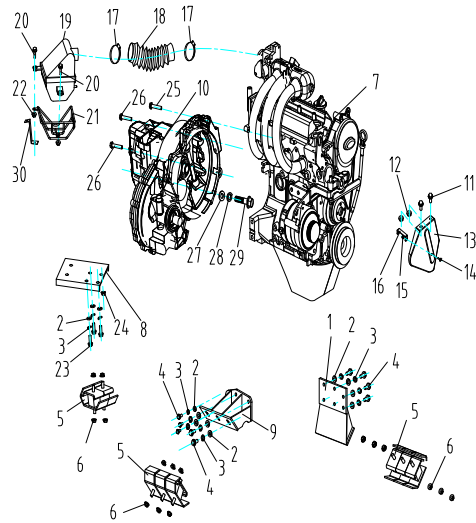
9	02.SV1100.04.01.05.02	heat insulation guard	1
10	02.PYT600.01.010271	engine bottom plate	1
11	02.PYT600.01.010270	rear seat plate	1
12	02.PYT600.05020101	plastic cover	1
13	02.PYT600.010210	number plate support	1
14	03.01.70.1-M12X1.5X30/05	bolt hexagon M12*1.5*30	2
15	03.01.D818-M6*16	bolt washer M6*16	45
16	02.JD.0900008	rubber cushion ϕ 6	110
17	03.02.6183 , 1-M6/05	nut lock M6(nylon)	110
18	03.01.5787-M8*20/05	bolt washer M8*20	2
19	03.01.D818-M6*20	bolt washer M6*20	65

3.3 ROLL CAGE



KITS			
REFERENCE ITEMS INCLUDED	KIT PART NUMBER	DESCRIPTION	QTY
1,2,3,4,5,6,7,8,9,		complete roll cage	1
1,2,4,6,7,		roll cage hardware	1
11,12,14,15,16,17,18,19		oil separator	1
ITEMS SOLD SEPARATELY			
ITEM #	PART NUMBER	DESCRIPTION	QTY
1		nylon bush	2
3		right side roll cage	1
23		right side roll cage	1
5		rear bar of roll cage	1
8		front bar of roll cage	1
9		left side roll cage	1
10		carbon can Connect plate	1
12		oil separator filter	1
17		pressure control valve(PCV)	1
REFERENCE ONLY ITEMS			
REFERENCE ITEM	ERP CODE	DESCRIPTION	QTY
1	02.D250.11771	nylon bush	2
2	03.01.5787-M12X1,5X60/05	bolt washer M12*1.5*60	2
3	02.PYT600.010202	right roll bar	1
4	03.01.5787-M10X1.25X45/05	bolt washer M10*1.25*45	4
5	02.PYT600.010204	rear cross bar	1
6	03.02.2842-M10X1,25/05	nut washer M10*1.25	4
7	03.01.70.1-M12X1.5X30/05	bolt hexagon M12*1.5*30	2
8	02.PYT600.010203	front cross bar	1
9	02.PYT600.010201	left roll bar	1
10	02.PYT600.04060002	carbon can Connect plate	1
11	02.D650.04.06.0001	Carbon can bracket	1
12	02.TR1100.04.06.01	carbon can	1
13	03.02.2842-M12X1.5/05	nut washer M12*1.5	2
14	02.DLJ.FTCARB-0409	φ4.5*φ9 CARB hose	1.5M
15	02.D650.04.03.0004	hoop(10-16)	11
16	02.DLJ.FTCARB-0613	φ6*φ13 CARB hose	1.5 M
17	02.DLJ.S11-1206211	pressure control valve(PCV)	1
18	03.01.5787-M6X16/05	bolt washer M6*16	3
19	03.02.6183,1-M6/05	nut washer M6	3
20	03.01.5787-M8X20/05	bolt washer M8*20	2
21	03.02.6183,1-M8/05	nut washer M8	2
22	02.D650.04.06.0002	metal plate for charcoal cans	1

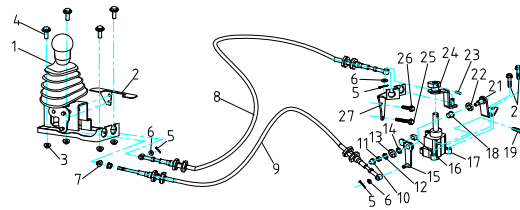
3.4 ENGINE MOUNT



KITS			
REFERENCE ITEMS INCLUDED	KIT PART NUMBER	DESCRIPTION	QTY
1,2,3,4,	241-0020	engine mount,front	1
2,3,4,6,8	241-0021	engine mount,left	1
2,3,4,9	241-0022	engine mount,right	1
5,6	241-0023	engine rubber bumper	
11,12,13,14,15,16		strap cover	1
ITEMS SOLD SEPARATELY			
ITEM #	PART NUMBER	DESCRIPTION	QTY
7	300-3000	engine (372)	1
10		4T08A2 transmmision	1
REFERENCE ONLY ITEMS			
REFERENCE ITEM	ERP CODE	DESCRIPTION	QTY
1	02.PYT800.04010200	engine mount,front	1
2	03.03.95-Φ10*20*2/05	washer φ10	15
3	03.04.93-Φ10/05	spring washer φ10	15
4	03.01.5787-M10*1.5*25/05	bolt washer M10*1.5*25	12
5	02.D650.04.01.0001	engine rubber bumper	7
6	03.02.2842-M10*1.25/05	nut washer M10*1.25	14
7	02.DLJ.372-0000E01AA	engine (372)	1
8	02.PYT600.040103	engine mount,left	1
9	02.PYT800.04040400	engine mount,rear	1
10	02.DLJ.4T08A2-1700010	4T08A2 transmmision	1
11	03.01.5787-M8*45/05	nut lock M8*45	2
12	03.02.6183 , 1-M8/05	nut lock M8(nylon)	2
13	C1100.04.01.08.00	strap cover	1
14	03.01.D818-M6*16	bolt washer M6	1
15	03.02.6183 , 1-M6/05	nut lock M6(nylon)	1
16	C1100.04.01.08.02	strap cover bracket	1
17	02.S800.04.05.00.05	hoop (46-70)	2
18	02.DLJ.LJ276MT-2-07001F	flexiber intake hose	1
19	02.DLJ.S11-1109110BA	air filter	1
20	03.01.5787-M8*35/05	nut lock M8*35	2
21	02.C1100.04.05.03	air filter bracket	1

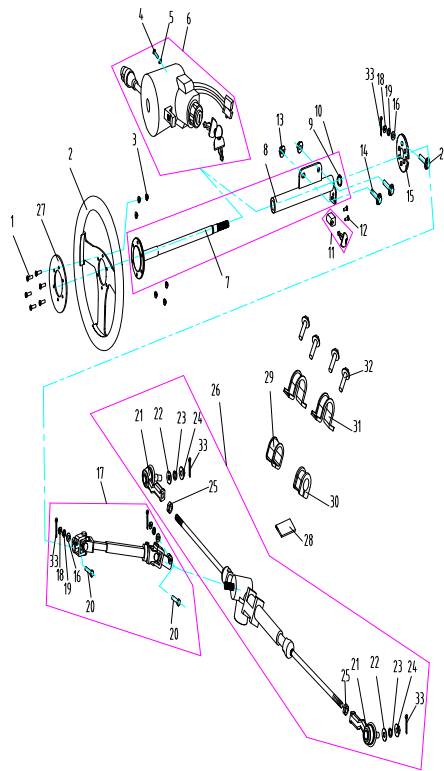
22	03.02.6183 , 1-M8/05	nut lock M8(nylon)	2
23	03.01.5787-M10*1.25*25/05	bolt washer M10*1.25*25	3
24	03.02.2842-M10*1.5/05	nut washer M10*1.5	1
25	03.01.70.1-M12X1.75X45/05	bolt hexagon M12*1.75*45	1
26	03.01.5787-M12*40/05	nut lock M12*40	2
27	03.03.95- ϕ 12*20*2/05	washer ϕ 12	1
28	03.04.93- ϕ 12/05	spring washer ϕ 12	1
29	03.01.5787-M12*1.25*60/05	nut lock M12*1.25*60	1
30	02.PYT600.040501	air filtershackle	1

3.5 GEAR SHIFTER



KITS			
REFERENCE ITEMS INCLUDED	KIT PART NUMBER	DESCRIPTION	QTY
1,2,3,8,9		shifter assy	1
4,5,7		shifter cable #1	1
4,5,6		shifter cable #2	1
ITEMS SOLD SEPARATELY			
ITEM #	PART NUMBER	DESCRIPTION	QTY
2		orientation metal sheet	1
REFERENCE ONLY ITEMS			
REFERENCE ITEM	ERP CODE	DESCRIPTION	QTY
1	02.S650.05.02.0100	gear shift assembly	1
2	02.SV800.04.01.04.05	orientation metal sheet	1
3	03.02.6183,1-M6/05	nut washer M6	4
4	03.01.5787-M6*25/05	bolt washer M6*25	4
5	03.08.91-Φ2*25/05	cotter pin Φ2*25	3
6	03.03.95-Φ8*16*1.5/05	washer φ8	3
7	03.02.2842-M6/05	flange nut M6	2
8	02.SZJ.PYT800.05.02.03.00	shifter soft shaft 2	1
9	02.SZJ.PYT800.05.02.02.00	shifter soft shaft 1	1
10	02.DLJ.5T07-1702062	anti-dust cover .shift-select shaft	1
11	03.02.41-M8/05	nut M8	1
12	03.04.93-Φ8/05	spring washer Φ8	1
13	02.DLJ.5T07-1702046	big washer	1
14	02.DLJ.5T07-1702045	small washer	1
15	02.SV1100.05.02.02	shift arm.comp	1
16	02.DLJ.5T07-1702063	pushing block.shift	1
17	02.DLJ.5T07-1702071	guide case assy of shift-select shaft	1
18	02.SV1100.05.02.0003	cuprum bush	1
19	02.TR1100.05.02.0001	limiting bolt of reverse gear	1
20	03.01.5787-M8*30/05	flange bolt	2
21	02.SV1100.05.02.03	support assy.shift arm	1
22	02.DLJ.5T07-1702047	rubber seal	1
23	03.07.879-5*28/05	spring pin 5*28	1
24	02.SV1100.05.02.04	shift arm.comp	1
25	03.01.5787-M8*60/05	flange bolt M8*60	1
26	03.01.5787-M8*30/05	flange bolt M8*30	1
27	02.SV1100.05.02.01	shift soft shaft bracket	1

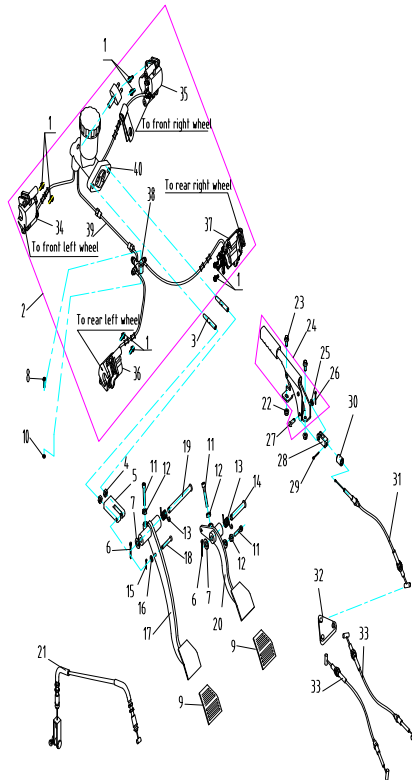
3.6 STEERING ASSY



KITS			
REFERENCE ITEMS INCLUDED	KIT PART NUMBER	DESCRIPTION	QTY
1,2,3,34		steering wheel	1
4,5,6		steering column assembly	1
17,18,19,20,33		steering shaft	1
7,8,9,10,11,12,13,14,15,16		steering rod assy	1
21,22,23,24,25,26,33		tie rod end	
27,28,29,30,31,32,33		rack & pinion mount kit	1
ITEMS SOLD SEPARATELY			
ITEM #	PART NUMBER	DESCRIPTION	QTY
REFERENCE ONLY ITEMS			
REFERENCE ITEM	ERP CODE	DESCRIPTION	QTY
1	03.01.70,2-M6*20	screw M6*20	6
2	02.TR1100.05.01.0002	350 steering wheel	1
3	03.02.6183,1-M6/05	nut lock M6(nylon)	6
4	03.01.819 , 1-M6*10/03	bolt M6*10	1
5	03.03.95-φ6*12*1/05	washer φ6	1
6	02.D650.06.0008	integrated switch assy	1
7	02.D650.05.01.01.01	steering wheel shaft	1
8	02.E650.05.01.01.02	steering column housing	1
9	03.09.894,1-φ15	circlip ∅15, external	1
10	02.E650.05.01.0100	steering column assy	1
11	02.E650.08.01.13	Lock against theft	1
12	03.01.819 , 1-M6*6/03	sunk screw M6*6	2
13	03.02.2842-M10*1.25/05	nut washer M10*1.25	2
14	03.01.5787-M10*1.25*25/05	bolt washer M10*1.25*25	2
15	002.E650.05.01.0400	check pan	1
16	03.03.95-φ8*16*1.5/05	washer φ8	3
17	02.D650.05.01.02B	steering universal rod	1
18	03.02.6187-M8/05	bolt washer M8	3

19	03.04.93-Φ8/05	spring washer φ8	3
20	02.TR1100.05.01.0004FX	special bolt	3
21	02.D650.05.01.03.01	tie rod end	2
22	03.03.95-Φ10*20*2/05	washer φ10	2
23	03.04.93-Φ10/05	spring washer φ10	2
24	03.02.9457-M10*1.25/05	nut castle M10*1.25	2
25	03.02.6172,1-M12*1.5/05	nut M12*1.5	2
26	02.D650.05.01.0300B	steering gear box	1
27	02.TR1100.05.01.0002-3	decoration cover	1
28	02.D650.05.01.0005	small iron cushion	1
29	02.D650.05.01.0004	thin rubber cover	1
30	02.D650.05.01.0003	thick rubber cover	1
31	02.D650.05.01.0002	mounting rack	2
32	03.01.5787-M10*1.25*30/05	bolt washer M10*1.25*30	4
33	03.08.91-Φ2*25/05	cotter pin Φ2*25	4

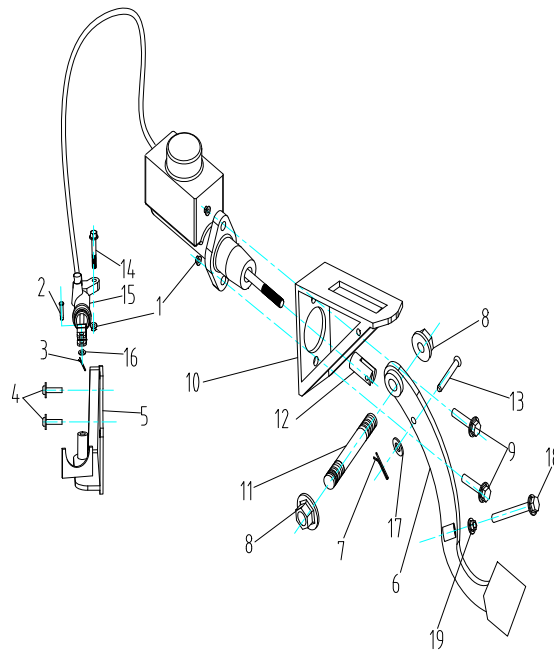
3.7 FOOT CONTROLS, PARKING BRAKE



KITS			
REFERENCE ITEMS INCLUDED	KIT PART NUMBER	DESCRIPTION	QTY
1,2,8,10,34,35,36,37,38,39,40		brake assy	1
3,4,5,15,16,18		brake adjustment block	1
6,7,11,12,13,9,17,19		brake pedal hardware	1
23,24,25,26,27,28,29		parking brake handle	1
6,7,9,11,12,13,14,20		throttle pedal hardware	1
ITEMS SOLD SEPARATELY			
ITEM #	PART NUMBER	DESCRIPTION	QTY
30		steel bush	1
31		connection cable	1
32		connection block	1
33		brake parking cable	1
21		cable ,throttle	1
REFERENCE ONLY ITEMS			
REFERENCE ITEM	ERP CODE	DESCRIPTION	QTY
1	03.01.5787-M8*20/05	bolt washer M8*20/05	8
2	02.PYT800.07.01.0100	four caliper hydraulic brake assy	1
3	02.D650.07.01.0004A	master cylinder rod	2
4	03.02.6172.1-M8-L/05	nut M8(m=6.8)	2
5	02.D650.07.01.0003	master cylinder rod block	1
6	03.08.91-Φ3*30	cotter pin Φ3*30	2
7	03.03.95-Φ10*20*1.5/05	washer φ10	2
8	03.01.5787-M6*35/05	bolt washer M6*35/05	1
9	02.D650.07.01.0005	Pedal rubber cover	2
10	03.02.6183 , 1-M6/05	nut flange lock M6(nylon)	1
11	03.01.70,1-M6*55/05	bolt hexagon M6*55	3
12	03.02.6172-M6/05	nut washer M6	3
13	02.D250.10003	spring	2
14	03.07.882-10*60/05	axle 10*60	1

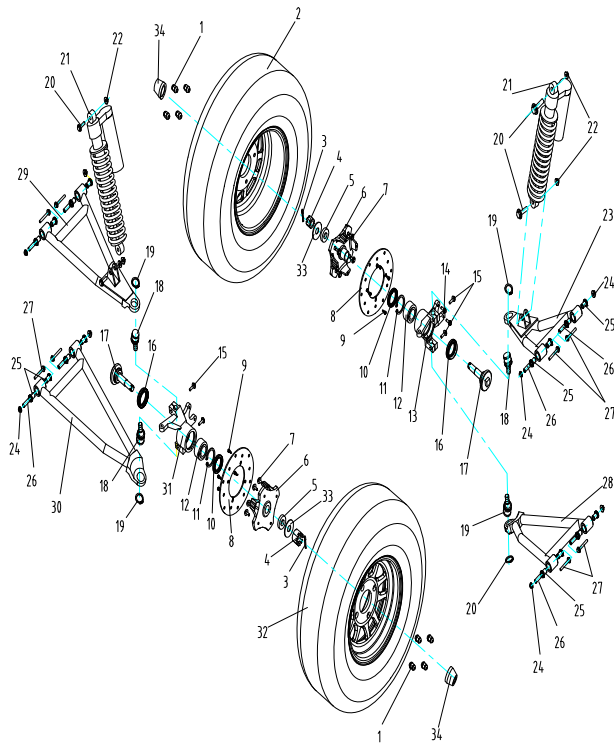
15	03.08.91-2*25/05	cotter pin 2*25	1
16	03.03.95-Φ6*13*1.5/05	washer Φ6	1
17	02.E650.07.01.02	brake pedal	1
18	03.07.882-6*40/05	axle 6*40	1
19	03.07.882-10*105/05	axle 10*105	1
20	02.D650.07.03.0200	throttle pedal	1
21	02.PYT600.070301	cable ,throttle	1
22	03.02.6183,1-M8/05	nut flange lock M8(nylon)	2
23	03.01.5787-M8*20/05	bolt washer M8*20/05	2
24	02.D650.07.02.0100	brake parking lever	1
25	03.03.95-Φ8*16*1.5/05	washer Φ8	1
26	03.07.882-2*25/05	cotter pin 2*25	1
27	02.D650.07.02.01.01	axle 8*25	1
28	02.D650.07.02.0001	connection,parking brake	1
29	03.08.91-2*25/05	cotter pin 2*25	1
30	02.D650.07.02.0004	steel bush	1
31	02.D650.07.02.02	connection cable	1
32	02.D800.07.02.0002	connection block	1
33	02.D800.07.02.01	brake parking cable	2
34	02.DLJ.ZJ509,03-00/34L1/13	braking caliper,FL,hydraulic-brake assy	1
35	02.DLJ.ZJ509,03-00/34R1/13	braking caliper,FR,hydraulic-brake assy	1
36	02.DLJ.ZJ509,03-00/34ZL1/13	braking caliper,RL,hydraulic-brake assy	1
37	02.DLJ.ZJ509,03-00/34ZR1/13	braking caliper,RR,hydraulic-brake assy	1
38	02.DLJ.ZJ609,F02-01	three-way coupling,hydraulic-brake assy	1
39	02.D650.07.01.01.07	rear middle oil hose,hydraulic-brake assy	1
40	02.DN250.04.01.01	hydraulic braking cylinder,hydraulic-brake assy	1

3.8 HYDRAULIC CLUTCH



KITS			
REFERENCE ITEMS INCLUDED	KIT PART NUMBER	DESCRIPTION	QTY
1,6,7,8,9,10,11,13,17		clutch pedal hardware	1
1,2,3,12,14,15,16		clutch system assembly	1
4,5		mount of hydraulic clutch	1
ITEMS SOLD SEPARATELY			
ITEM #	PART NUMBER	DESCRIPTION	QTY
REFERENCE ONLY ITEMS			
REFERENCE ITEM	ERP CODE	DESCRIPTION	QTY
1	03.02.6183,1-M8/05	nut flange lock M8(nylon)	3
2	03.07.882-6*25/05	axle 6*25	1
3	03.08.91-2*2.5/05	cotter pin 2*25	1
4	03.01.5787-M8*45/05	bolt washer M8*45/05	2
5	02.TR1100.07.04.03A	mount of hydraulic clutch	1
6	02.PYT600.070402	clutch pedal	1
7	03.08.91-2.5*30/05	cotter pin 2.5*30	1
8	03.02.6183,1-M12/05	nut flange lock M12(nylon)	2
9	03.01.5787-M8*35/05	bolt washer M8*35/05	2
10	02.SR2000.07.03.02.02	bracket,clutch pedal	1
11	02.PYT600.07040201	screw thread pole	1
12	02.SR2000.07.03.02.04	U'carrier rod	1
13	03.07.882-6*20/05	axle 6*20	1
14	03.01.5787-M8*60/05	bolt washer M8*60/05	1
15	03.TR1100.07.04.01A	clutch system assembly	1
16	03.03.95-φ6*12*1/05	washer φ6	1
17	03.03.95-φ6*12*1/05	washer φ6	1
18	03.01.5787-M10*45/05	bolt washer M10*45	1
19	03.02.2842-M10/05	flange nut M10	1

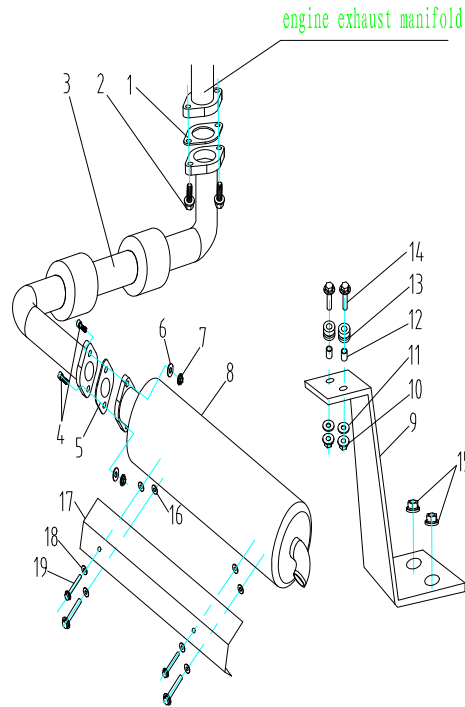
3.9 FRONT SUSPENSION



KITS			
REFERENCE ITEMS INCLUDED	KIT PART NUMBER	DESCRIPTION	QTY
3,4		front castle nut	1
1,7		wheel stud kit(2 wheels)	1
3,4,6,7		front wheel hub kit	1
8,9		front brake rotor kit	1
10,11,12,14,16		front hub bearing kit	1
15,18,19		ball joint kit	1
20,21,22		shock bolt kit (pair)	1
24,25,26,27		front suspension bushing kit	1
ITEMS SOLD SEPARATELY			
ITEM #	PART NUMBER	DESCRIPTION	QTY
2		wheel (185/70R-14 KR23 TL 88H)	1
32		wheel (185/70R-14 KR23 TL 88H)	1
5		front axle washer	1
13		left front hub housing	1
17		front spindle	1
21		front shock absorber	1
23		upper left a arm	1
28		lower left a arm	1
29		upper right a arm	1
30		lower right a arm	1
31		right hub housing	1
33		axle washer	1
34		wheel dust cap	1
REFERENCE ONLY ITEMS			
REFERENCE ITEM	ERP CODE	DESCRIPTION	QTY
1	02.S650.03.01.0002	wheel lug nut M12x1.5	8
2	02.C800.03.01.01.02B	wheel (185/70R-14 KR23 TL 88H)	1
3	03.08.91-4X40/05	cotter pin 4x40	2
4	03.02.9457-M18X1,5/05	castle nut M18x1.5, front axle	2
5	02.D650.03.01.0008	front axle washer	2
6	02.D650.03.01.0001A	front hub	2
7	02.D650.03.02.0003A	bolt M12x1.5 hub	8

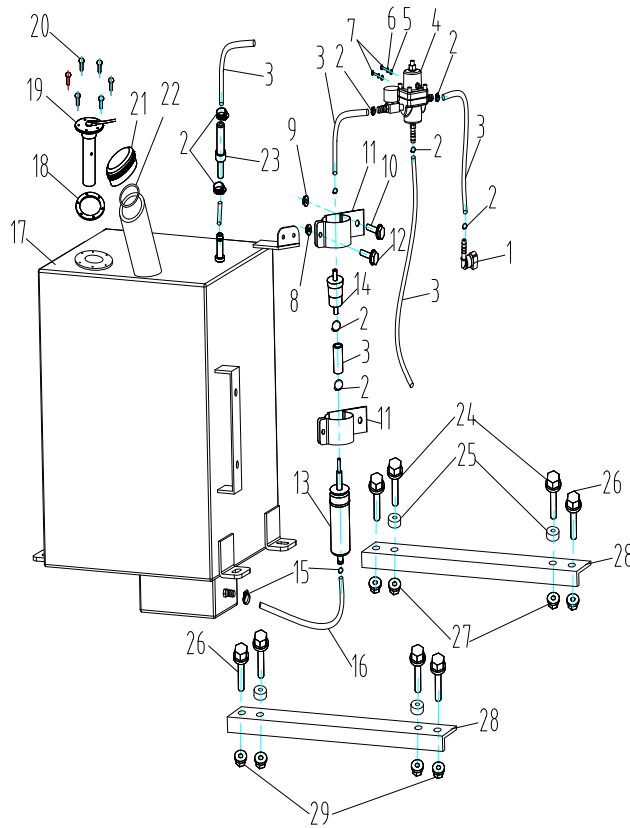
8	02.TR1100.03.01.0004	φ240 brake disc	2
9	02.D650.03.02.0008	brake disc bolt M6	8
10	02.D650.03.01.0004	seal(40x55x6)	2
11	03.09.893,2-Φ55/05	circlip 55mm internal	2
12	02.D650.03.01.0005	front hub bearing(30x55x30)	2
13	02.D650.03.01.0007	left front hub housing	1
14	02.DLJ.5787-M8x20	flange nut M8x20	4
15	02.D650.03.01.0009	special bolt 10*34	4
16	02.D650.03.01.0006	inner hub seal(40x58x5)	2
17	02.D650.03.01.0003	front spindle	2
18	02.D650.02.01.0003	ball joint	4
19	03.09.894,2-φ29	external circlip 29mm external	4
20	03.01.5787-M12X1.5X60/05	flange bolt M12x1.5x60	4
21	02.PYT800.02.03.01	front shock absorber	2
22	03.02.2842-M12*1.5/05	flange nut M12x1.5	4
23	02.PYT800.02010300	upper left a arm	1
24	03.02.SJ2842-M10X1,25/05	flange nut M10x1.25	8
25	02.D650.02.01.0001	suspension arm bushing	8
26	02.D650.02.01.0002	suspension arm bushing spacer	4
27	03.01.5787-M10X1,25X75/05	flange nut M10x1.25x75	8
28	02.D650.02.01.04	lower left a arm	1
29	02.PYT800.02010100	upper right a arm	1
30	02.D650.02.01.02	lower right a arm	1
31	02.D650.03.01.0002A	right hub housing	1
32	02.C800.03.01.01.02B	wheel (185/70R-14 KR23 TL 88H)	1
33	02.D800.03.01.0010	axle washer	4
34	02.JD.0360010	wheel dust cap	2

3.10 EXHAUST SYSTEM



KITS			
REFERENCE ITEMS INCLUDED	KIT PART NUMBER	DESCRIPTION	QTY
1,2,3,4,5,6,7		exhaust tailpipe	1
5,6,7,8,11,12,13		muffler	1
9,10,14,2,15		exhaust bracket	1
ITEMS SOLD SEPARATELY			
ITEM #	PART NUMBER	DESCRIPTION	QTY
1		exhaust tailpipe gasket	1
5		muffler gasket	1
REFERENCE ONLY ITEMS			
REFERENCE ITEM	ERP CODE	DESCRIPTION	QTY
1	02.DLJ.S11-1200011CA	exhaust tailpipe gasket	1
2	03.01.5787-M10X25/05	exhaust flange bolt M10X25	2
3	02.PYT800.040401	exhaust tailpipe	1
4	03.01.70,1-M10X40/05	muffler flange bolt M10X40	2
5	02.SV1100.04.04.04	muffler gasket	1
6	03.04.93-φ10/05	lock washer φ10	2
7	03.02.41-M10/05	flange nut M10	2
8	02.PYT600.040402	muffler	1
9	02.PYT800.040403	muffler bracket	1
10	03.02.6187,1-M8/05	small nut M8	2
11	03.03.96,2-φ8X28X2/05	flat washer φ8X28X2	2
12	02.JD.1910002	steel busher	2
13	02.JD.1910003A	rubber protective cover	2
14	03.01.5787-M8X30/05	bolt M8X30	2
15	03.02.2842-M10*1.25/05	nut M10*1.25	2
16	02.D650.04.04.00.05	asbestos washer	4
17	02.D650.04.04.00.02	heat insulation guard,exhaust pipe	1
18	02.D650.04.04.00.06	lock washer	4
19	03.01.5787-M6X12/05	bolt M6X12	4

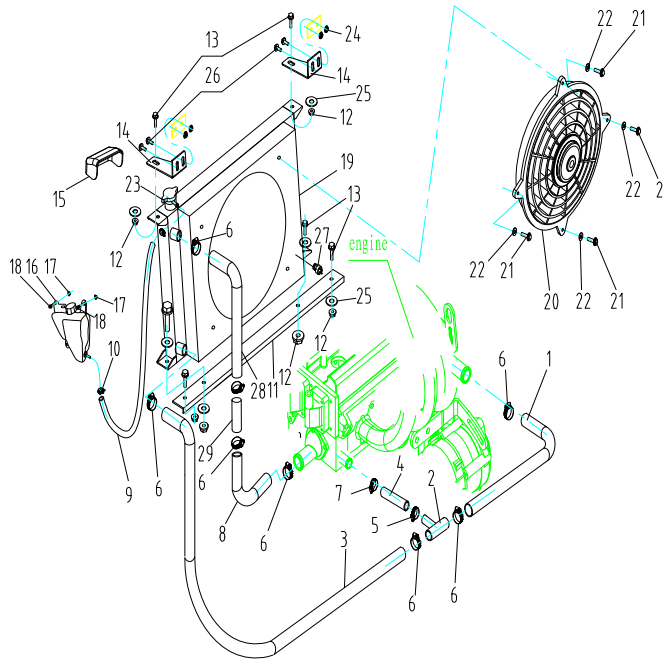
3.11 FUEL TANK, FUEL SYSTEM



KITS			
REFERENCE ITEMS INCLUDED	KIT PART NUMBER	DESCRIPTION	QTY
2,3,17,18,19,20,21,22,23		fuel tank	1
18,19,20		fuel sending unit	1
2,3,13,15,16		fuel pump	1
8,9,10,11,12		fuel pump bracket	1
2,3,4,5,6,7		fuel press adjuster assy	1
ITEMS SOLD SEPARATELY			
ITEM #	PART NUMBER	DESCRIPTION	QTY
22		fuel cap	1
18		fuel sending unit gasket	1
14		fuel filter	1
16		fuel line hose (tank outlet)	1
3		CARB hose	1
REFERENCE ONLY ITEMS			
REFERENCE ITEM	ERP CODE	DESCRIPTION	QTY
1	02.D1600.04.03.0003	connector (7.95),fuel pipe	1
2	02.D650.04.03.0004	hoop (10-16)	11
3	02.DLJ.FTCARB-0816	CARB hose	0.9 M
4	02.TR1100.04.03.0300	fuel press adjuster	1
5	03.03.95-Φ4/05	flat washer Φ4	2
6	03.04.93-Φ4/05	spring washer Φ4	2
7	03.01.5782-M4*10/05	bolt M4*10	2
8	03.02.6183,1-M6/05	nut flange lock M6(nylon)	2
9	03.02.6183,1-M8/05	nut flange lock M8(nylon)	2
10	03.01.5787-M8*20/05	bolt washer M8*20/05	2
11	02.D650.04.03.0010	fuel filter clip	2
12	03.01.5787-M6*50/05	bolt washer M6*50/05	2
13	02.SVB1100.04.03.03	fuel bump	1
14	02.D650.04.03.0005	fuel filter	1
15	02.D1600.04.02.00.06	hose clip (16-25)	2
16	02.DLJ.FTCARB-1220	CARB hose	0.2 M
17	02.PYT800.040301A	aluminum fuel tank	1

18	02.TR1100.04.03.03.02	airproof washer of oil level sensor	1
19	02.MVA800.04.03.03	330 oil level sensor	1
20	03.01.5782-M4*16/05	bolt M4*16	6
21	02.SR2000.04.03.0003A	aluminum tank cover	1
22	02.SR2000.04.03.0004	O'seal	1
23	02.D800.04.03.0001	fuel pipe connector	1
24	03.01.5787-M8*35/05	bolt washer M8*35/05	4
25	02.TR1100.04.03.0010	fuel tank rubber insert	4
26	03.01.5787-M10*25/05	bolt washer M10*25/05	4
27	03.02.6183,1-M8/05	nut flange lock M8(nylon)	8
28	02.PYT600.01.020701	fuel tank mounting plate	2
29	03.02.6183,1-M10/05	nut flange lock M10(nylon)	4

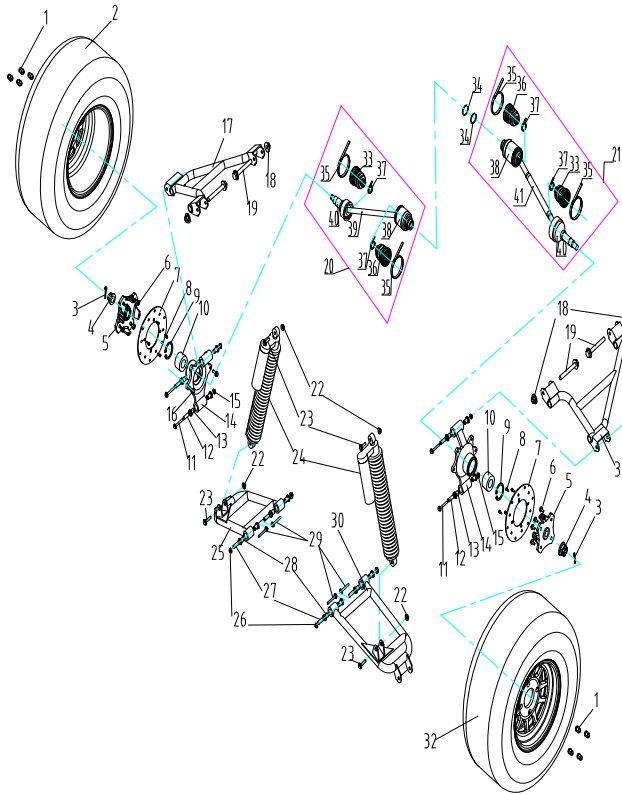
3.12 RADIATOR, AIR INTAKE



KITS			
REFERENCE ITEMS INCLUDED	KIT PART NUMBER	DESCRIPTION	QTY
11,12,13		radiator support bracket	1
12,13,19,20,21,22,23		radiator assembly	1
1,2,3,4,5,6,7,8,9,10		engine water hoses	1
ITEMS SOLD SEPARATELY			
ITEM #	PART NUMBER	DESCRIPTION	QTY
16		overflow bottle	1
14		bracket,aluminium radiator	1
15		plastic protective covering	1
20		radiator fan	1
REFERENCE ONLY ITEMS			
REFERENCE ITEM	ERP CODE	DESCRIPTION	QTY
1	02.D650.04.02.0002	in engine water pipe	1
2	02.S650.04.02.02	tee branch	1
3	02.D650.04.02.0002	in engine water pipe	1
4	02.S800.04.02.0013	recycle water hose	1
5	02.SV1100.04.07.0001	hose clip (19-29)	1
6	02.D650.04.02.0003	hoop (25-38)	6
7	02.D1600.04.02.0006	hose clip (16-25)	1
8	02.PYT800.04020008	out engine water pipe,rear	1
9	02.DLJ.WT-0611	Φ6*11 water pipe	1
10	02.D650.04.03.0004	hoop(10-16)	4
11	02.PYT600.04.03.0001	radiator support	1
12	03.02.6183,1-M10/05	nut flange lock M10(nylon)	6
13	03.01.5787-M10*20/05	bolt washer M8*20/05	6
14	02.D800.01.02.0005	bracket,aluminium radiator	3
15	02.D1600.04.02.0011	plastic protective covering	1
16	02.E650.04.02.02	overflow bottle	1
17	03.02.6183,1-M8/05	nut flange lock M8(nylon)	2
18	03.01.5787-M8*20/05	bolt washer M8*20/05	2
19	02.D800.04.02.03	aluminium radiator	1
20	02.D1600.04.02.02	radiator fan	1
21	03.01.5787-M6*20/05	bolt washer M6*20/05	4
22	03.03.95-Φ6*12*105	washer Φ6	4
23	02.LS2.04.02.0101	radiator cap	1

24	03.02.6183,1-M8/05	nut flange lock M8(nylon)	4
25	03.03.95- Φ 10*20*1.5/05	flat washer Φ 10*20*1.5	6
26	03.01.5787-M8*20/05	bolt washer M8*20/05	4
27	02.D650.04.02.03	102 Heat switch	1
28	02.PYT800.04020007	out engine water pipe,front	1
29	02.S800.04.02.0008	water hose connection	1

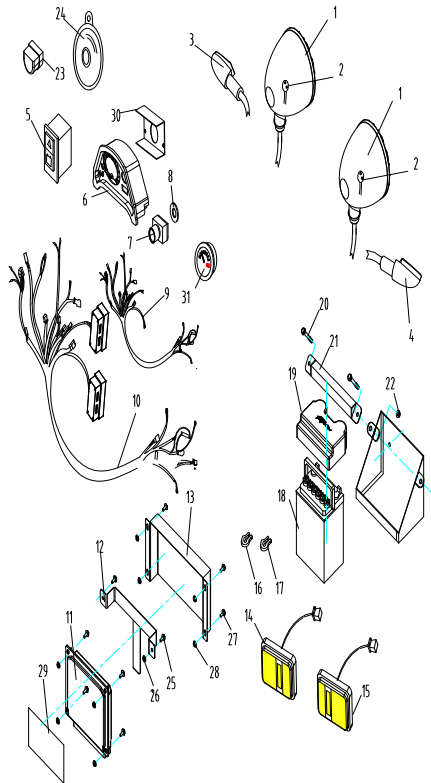
3.13 REAR SUSPENSION



KITS			
REFERENCE ITEMS INCLUDED	KIT PART NUMBER	DESCRIPTION	QTY
1,6		wheel stud kit(2 wheels)	2
3,4		castle nut	1
3,4,5,6		rear wheel hub kit	1
7,8		rear brake rotor kit	1
9,10		rear hub bearing kit	1
11,12,13,14,15,16		rear hub housing kit	1
17,18,19		left upper control arm	1
25,26,27,28,29		left lower control arm	1
18,19,31		right upper control arm	1
26,27,28,29,30		right lower control arm	1
22,23,24		shock bolt kit (pair)	2
ITEMS SOLD SEPARATELY			
ITEM #	PART NUMBER	DESCRIPTION	QTY
2		wheel K161B033 (P235/60R14 KR15 TL 96H)	1
32		wheel K161B033 (P235/60R14 KR15 TL 96H)	1
20		left propeller shaft	1
21		right propeller shaft	1
REFERENCE ONLY ITEMS			
REFERENCE ITEM	ERP CODE	DESCRIPTION	QTY
1	02.S650.03.01.0002	wheel nut M12*1.5	8
2	02.C800.03.02.01.02B	wheel K161B033 (P235/60R14 KR15 TL 96H)	1
3	03.08.91-Φ4*40/05	cotter pin Φ4*40	2
4	02.D650.03.02.0006	nut-castle M22*1.5,rear shaft	2
5	02.D650.03.02.0004B	rear hub	2
6	02.D650.03.02.0003A	bolt M10*1.25,hub	8
7	02.TR1100.03.01.0004	240 brake disc	2
8	02.D650.03.02.0008	bolt M6,brake disc	8
9	03.09.893,2-Φ55	Φ55,internal circlip	2
10	02.DLJ.PEER 65X35X35	rear hub bearing	2
11	03.01.5787-M10*1.25*100*20/05-10.9	bolt -washer M10*1.25*100*20	4
12	02.D650.02.02.0002A	shaft carrier spacer	4

13	02.D650.02.02.0001	shaft carrier bush	8
14	02.D650.03.02.0001	shaft carrier	2
15	03.02.2842-M10*1.25/05	nut-washer M10*1.25	4
16	03.01.5787-M8*20/05	bolt-washer M8*20	4
17	02.D650.02.02.03	RL upper suspension arm	1
18	03.02.2842-M10*1.25/05	nut-washer M10*1.25	4
19	03.01.5787-M10*1.25*75/05	bolt -washer M10*1.25*75	4
20	02.PYT800.03.02.0100	left propeller shaft	1
21	02.PYT800.03.02.0200	right propeller shaft	1
22	03.02.2842-M10*1.25/05	nut-washer M10*1.25	4
23	03.01.5787-M12*1.25*60/05	bolt-washer M12*1.25*60	4
24	02.PYT800.02.0302	rear shock absorber	2
25	02.D650.02.02.04	RL lower suspension arm	1
26	03.02.2842-M10*1.25/05	nut-washer M10*1.25	4
27	02.D650.02.01.0002A	suspension arm spacer	4
28	02.D650.02.01.0001	suspension arm bush	8
29	03.01.5787-M10*1.25*75/05	bolt -washer M10*1.25*75	4
30	02.D650.02.02.02	RR lower suspension arm	1
31	02.PYT800.020201	RR upper suspension arm	1
32	02.C800.03.02.01.02B	wheel K161B033 (P235/60R14 KR15 TL 96H)	1
33	02.DLJ.BT-1045	outer boot seal	2
34	02.DLJ.MQC4-2303016	steel cable baffle ring	2
35	02.DLJ.SH07680	big band	2
36	02.DLJ.BT-2075	inner boot seal	2
37	02.DLJ.SH07350	small band	2
38	02.DLJ.PT SZW5004	end motion type inboard joint	2
39	02.PYT800.03.02.0105	left Solid bar	1
40	02.DLJ.PT SZW1003	fixed enter type outboard joint	2
41	02.PYT800.03.02.0205	right Solid bar	1

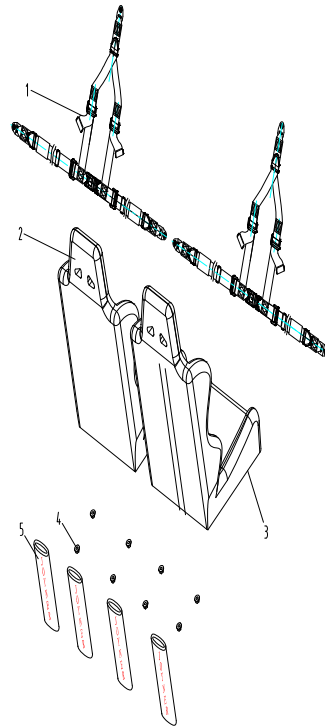
3.14 ELECTRICAL PARTS



KITS			
REFERENCE ITEMS INCLUDED	KIT PART NUMBER	DESCRIPTION	QTY
1,2		head light assy	1
3,4		turning signal assy	1
16,17,18,19,20,21,22		battery assy	1
11,12,13,25,26,27,28,29		ECU assy	1
14,15		tail ligh	1
7,8,24		horn assy	1
ITEMS SOLD SEPARATELY			
ITEM #	PART NUMBER	DESCRIPTION	QTY
5		caution instrument	1
6		instrument cluster	1
9		engine harness	1
10		control shafts	1
23		registration mark light	1
REFERENCE ONLY ITEMS			
REFERENCE ITEM	ERP CODE	DESCRIPTION	QTY
1	02.D650.06.0003-B	head light	2
2	02.D1600.06.11.0001	head light bulb(35W/35W)	2
3	02.PYT800.060304	FL turning signal	1
4	02.PYT800.060305	FR turning signal	1
5	02.E650.06.0018	caution instrument	1
6	02.PYT800.060201	instrument cluster	1
7	02.D650.06.0013	horn button	1
8	02.JD.0460003	washer	1
9	02.DLJ.S11-3724180CA	engine wiring harness	1
10	02.PYT800.060101	electrical wiring harness	1
11	02.DLJ.S11-3605010TA	372ECU	1
12	TR1100.01.02.00.09	bracket of ECU	1
13	02.D1600.01.02.06	ECU plastic shield	1
14	02.PYT800.060302	left tail ligh	1

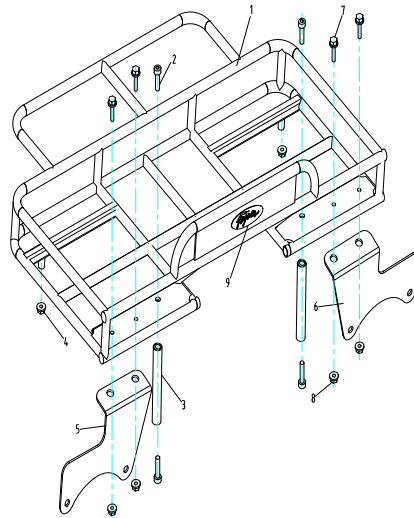
15	02.PYT800.060303	right tail ligh	1
16	02.D650.06.000201	battery anode connector	1
17	02.D650.06.000202	battery negative connector	1
18	02.PYT800.060002	battery(36Ah)	1
19	02.D650.08.01.0011	battery rubber cover	1
20	03.01.5787-M8*140	bolt-washer M8*140	2
21	02.E650.01.02.08A	battery bracket	1
22	03.02.2842-M8/05	nut-washer M8	2
23	02.PYT800.060308	registration mark light	1
24	02.D650.06.0009	horn	1
25	03.01.5787-M6*16	bolt-washer M6*16	2
26	03.02.2842-M6/05	nut-washer M6	2
27	03.01.5787-M6*16	bolt-washer M6*16	4
28	03.02.2842-M6/05	nut-washer M6	4
29	02.D1600.06.000001	rubber backing	1
30	02.PYT800.01020006	bracket	1
31	02.SVE1100.06.050300	fuel level gauge	1

3.15 SEATS, SEAT BELTS



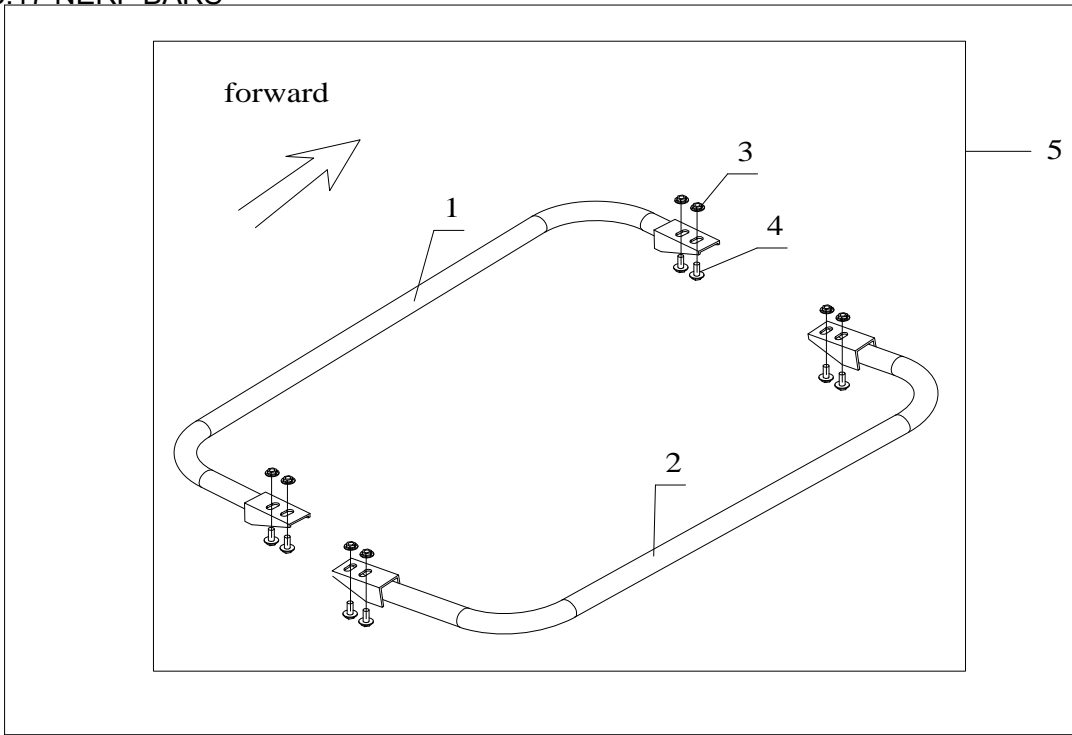
KITS			
REFERENCE ITEMS INCLUDED	KIT PART NUMBER	DESCRIPTION	QTY
ITEMS SOLD SEPARATELY			
ITEM #	PART NUMBER	DESCRIPTION	QTY
1	506-2003	EU seat belt	2
2	506-2004	left seat	1
3	506-2005	right seat	1
5	506-2006	seat belt pads	4
REFERENCE ONLY ITEMS			
REFERENCE ITEM	ERP CODE	DESCRIPTION	QTY
1	02.D650.08.01.0001	EU seat belt	2
2	02.D650.08.01.0300	left seat	1
3	02.D650.08.01.0400	right seat	1
4	03.02.2842-M8/05	nut-washer M8	8
5	02.D650.08.01.0013	seat belt pads	4

3.16 REAR STORAGE RACK



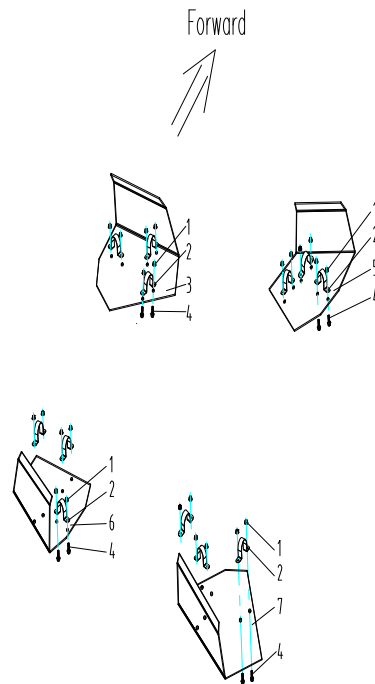
KITS			
REFERENCE ITEMS INCLUDED	KIT PART NUMBER	DESCRIPTION	QTY
1,2,3,4	236-0006	rear storage rack	1
ITEMS SOLD SEPARATELY			
ITEM #	PART NUMBER	DESCRIPTION	QTY
			1
REFERENCE ONLY ITEMS			
REFERENCE ITEM	ERP CODE	DESCRIPTION	QTY
1	02.PYT800.08010100	rear storage rack	1
2	03.01.70,1-M10*30/05	bolt hexagon M10*30	4
3	02.PYT800.08010116	storage rack support bar	2
4	03.02.6183,1-M10/05	nut flange lock M10(nylon)	2
5	02.PYT800.08010118	left taillight connector	1
6	02.PYT800.08010119	right taillight connector	1
7	03.01.5787-M6*20	bolt-washer M6*20	4
8	03.02.6183,1-M6/05	nut flange lock M6(nylon)	4
9	02.DN250.00.01.0001	joyner aluminium label	1

3.17 NERF BARS



KITS			
REFERENCE ITEMS INCLUDED	KIT PART NUMBER	DESCRIPTION	QTY
1,2,3,4,5		nerf bar kit	1
1,3,4		left nerf bar	1
2,3,4		right nerf bar	1
ITEMS SOLD SEPARATELY			
ITEM #	PART NUMBER	DESCRIPTION	QTY
REFERENCE ONLY ITEMS			
REFERENCE ITEM	ERP CODE	DESCRIPTION	QTY
1	02.SV1100.9999.02	left nerf bar	1
2	02.SV1100.9999.03	right nerf bar	1
3	03.01.5787-M10X35 /05	bolt-washer M10*35	8
4	03.02.SJ2842-M10/05	nut M10	8
5	02.D650.10.06	nerf roof rack option	1

3.18 HALF SHAFT PROTECT BOARD(OPTION)



KITS			
REFERENCE ITEMS INCLUDED	KIT PART NUMBER	DESCRIPTION	QTY
1,2,3,4		half shaft protect board.FL	1
1,2,5,4		half shaft protect board.FR	1
1,2,6,4		half shaft protect board.RL	1
1,2,7,4		half shaft protect board.RR	
ITEMS SOLD SEPARATELY			
ITEM #	PART NUMBER	DESCRIPTION	QTY
REFERENCE ONLY ITEMS			
REFERENCE ITEM	ERP CODE	DESCRIPTION	QTY
1	03.02.6183,1-M5/05	self locking nut M5	24
2	02.SC650.09.01.0903	Ø32 U clamp Ø32	12
3	02.S800.02.01.0002	half shaft protect board.FL	1
4	03.01.5787-M5X16/05	flange bolt M5x16	24
5	02.S800.02.01.0001	half shaft protect board.FR	1
6	02.S800.02.02.0001	half shaft protect board.RL	1
7	02.S800.02.02.0002	half shaft protect board.RR	1